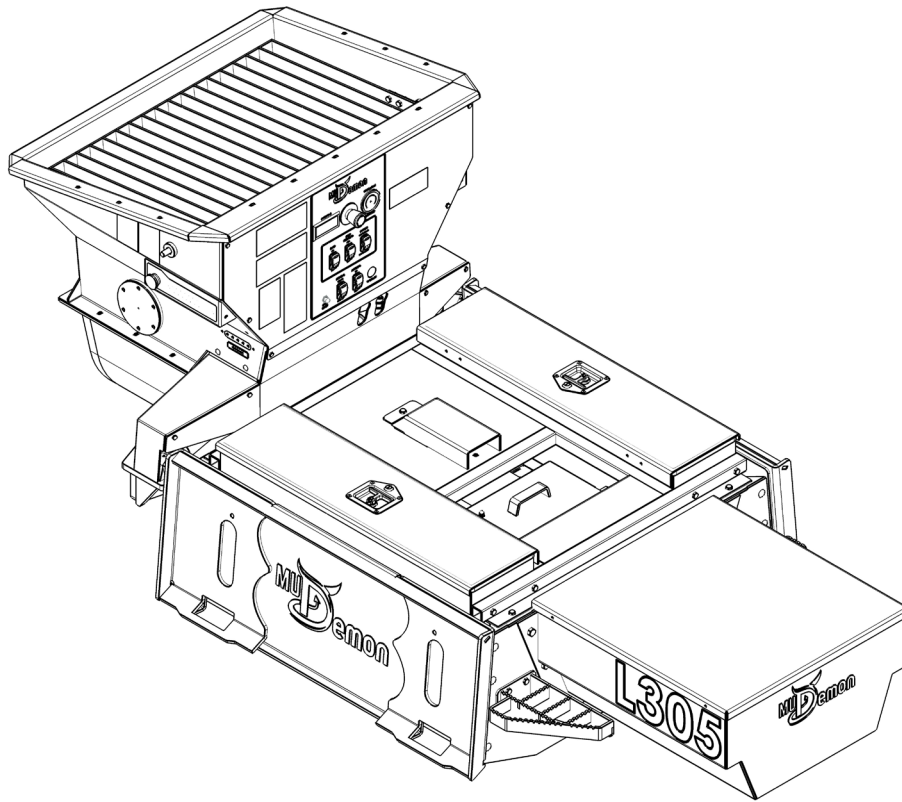




# Parts Book | L305

---

---

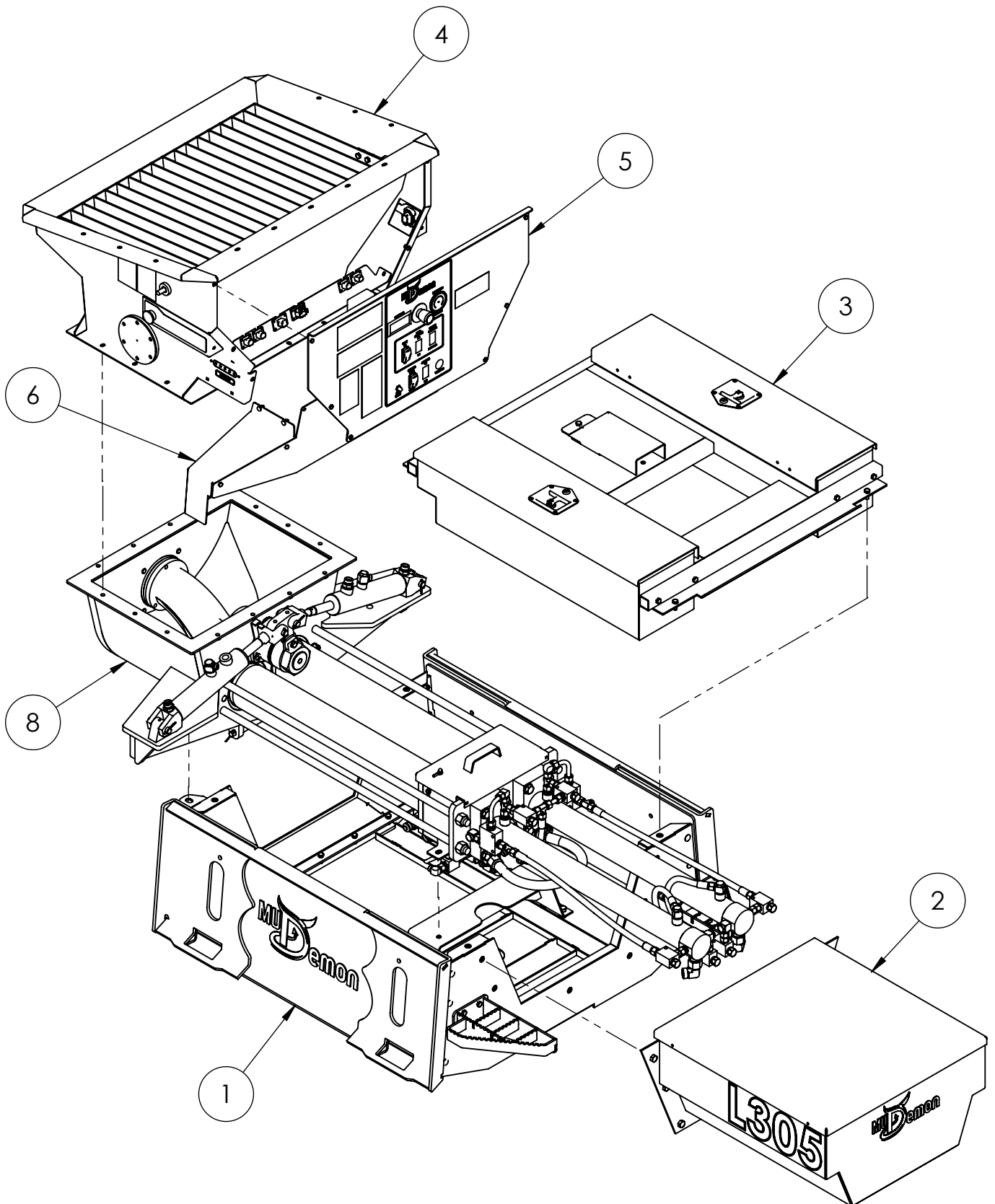


2200 14th Ave S  
Moorhead, MN 56560  
(701)-899-9968  
[www.mnkotamfg.com/mnkotasales](http://www.mnkotamfg.com/mnkotasales)

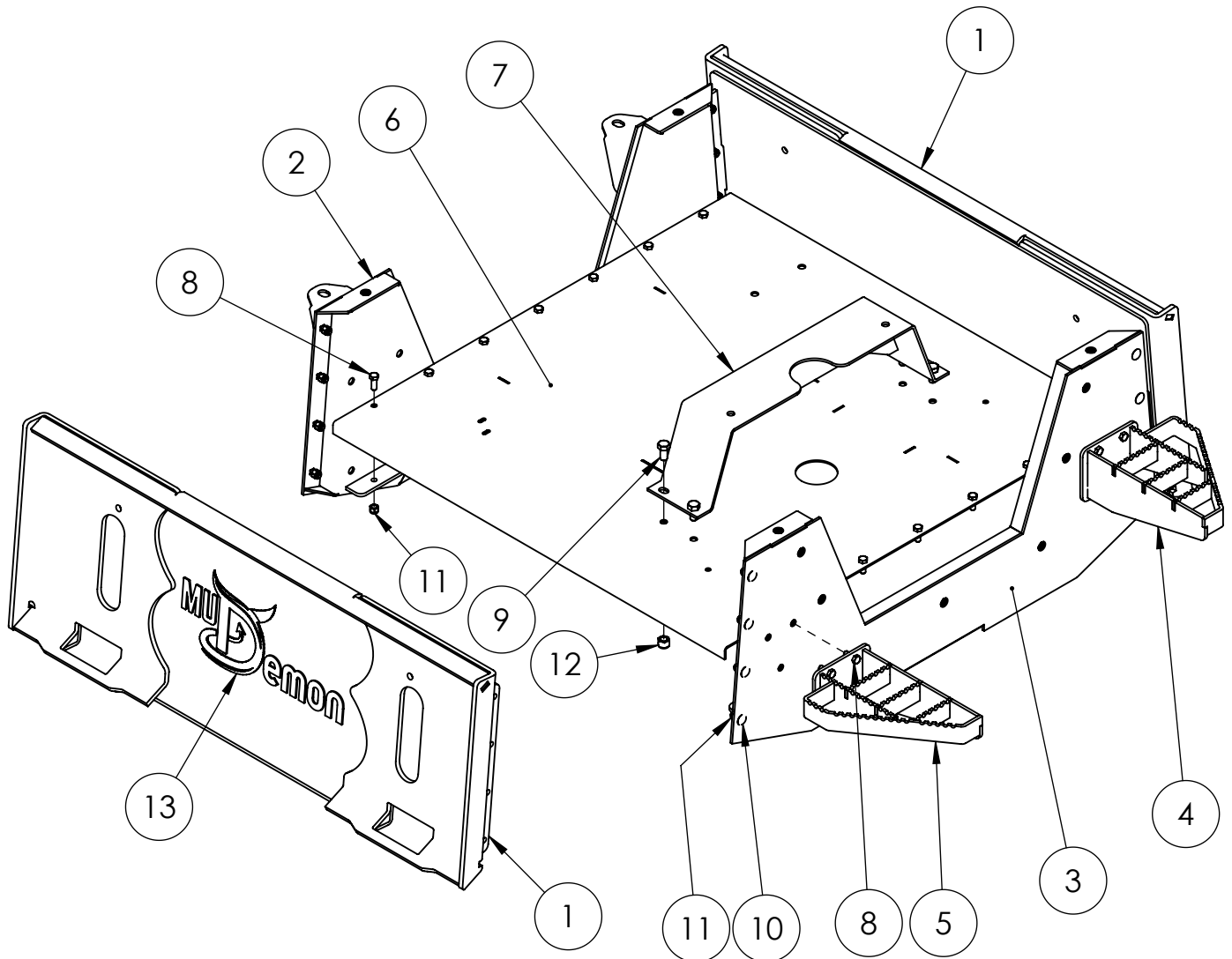


# Table of Contents

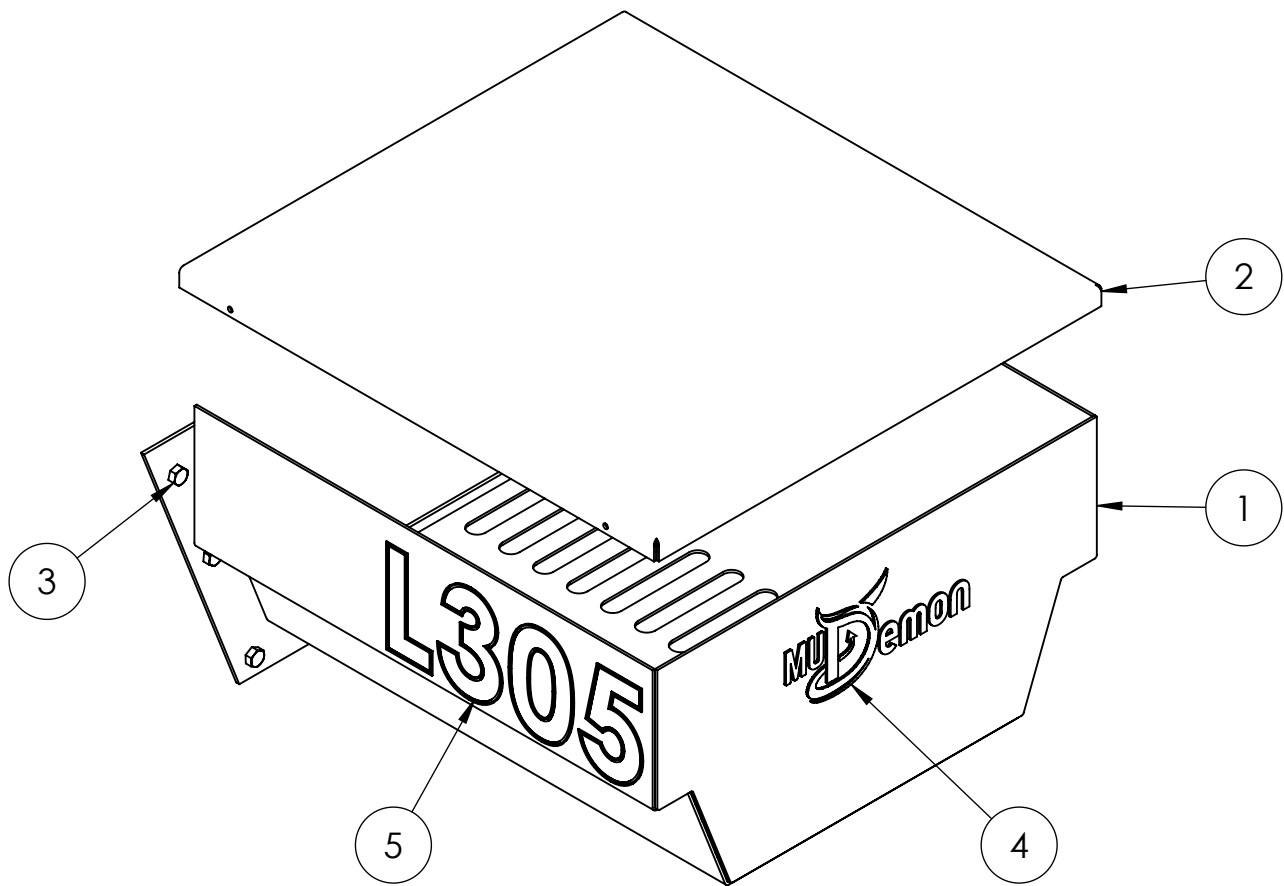
- 101-0002 Main Assembly. . . . . 4
- 102-0031 Main Frame . . . . . 6
- 102-0033 Tail Cover. . . . . 8
- 102-0034 Top Frame & Toolboxes:. . . . . 10
- 102-0037 Hopper. . . . . 12
- 102-0038 Control Panel. . . . . 14
- Hydraulic Components. . . . . 16



<b>Parts List: 101-0002 Mud Demon L305</b>			
<b>ITEM NO</b>	<b>PART NUMBER</b>	<b>DESCRIPTION</b>	<b>QTY</b>
1	102-0031	Assy, L305 Main Frame	1
2	102-0033	Assy, Pump Tail Cover	1
3	102-0034	Assy, Top Frame	1
4	102-0037	Assy, 305 Hopper	1
5	102-0038	Assy, Control Panel	1
6	102-0039	Assy, Lower Guard	1
7	102-0044	Assy, Hydraulic Components	1
8	955-0001-1	SP305 Concrete Pump	1



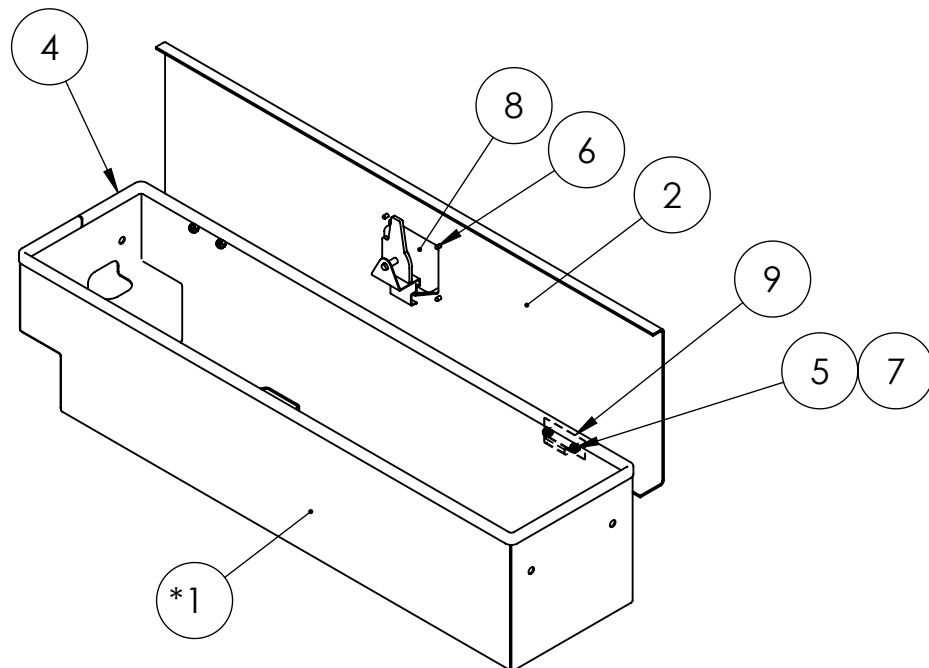
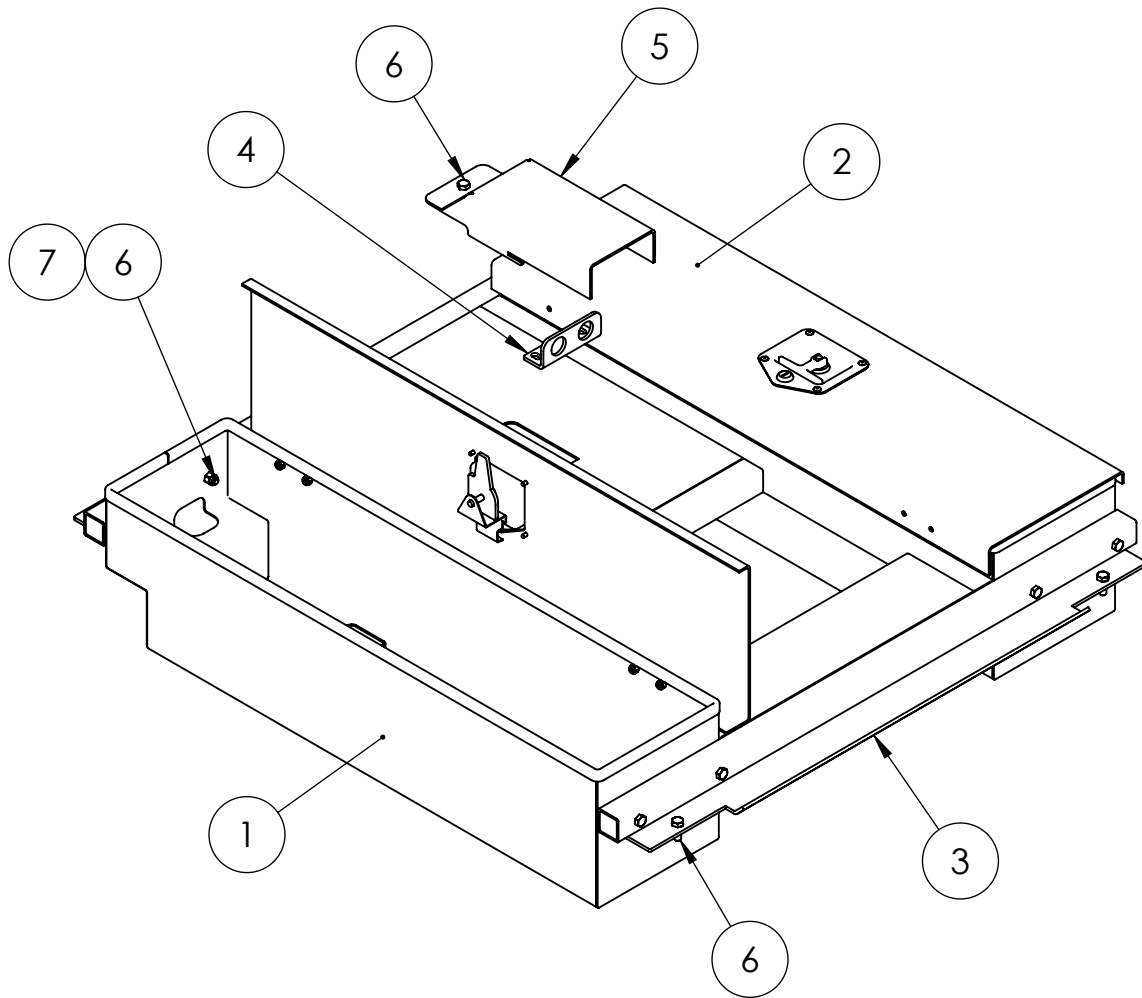
<b>Parts List: 102-0031 Assy, L305 Main Frame</b>			
<b>ITEM NO</b>	<b>PART NUMBER</b>	<b>DESCRIPTION</b>	<b>QTY</b>
1	103-0039	L305 Quick Attach	2
2	103-0040	Main Frame Front Wall	1
3	103-0041	Main Frame Rear Wall	1
4	103-0042	Right step	1
5	103-0043	Left step	1
6	103-0044	Main Frame Floor	1
7	103-0047	Pump tail mount	1
8	901-06100-1	Bolt, Hex 3/8-16 x 1.00 Gr5 ZP	20
9	901-08100-1	Bolt, Hex 1/2-13 x 1.00 Gr5 ZP	4
10	902-06100-1	Bolt, Carriage 3/8-16 x 1.00 Gr5 ZP	16
11	911-06-1	Nut, Nylock 3/8-16 Gr5 ZP	30
12	911-08-1	Nut, Nylock 1/2-13 Gr5 ZP	4
13	960-0031	Decal, Mud Demon (16in x 7in)	2





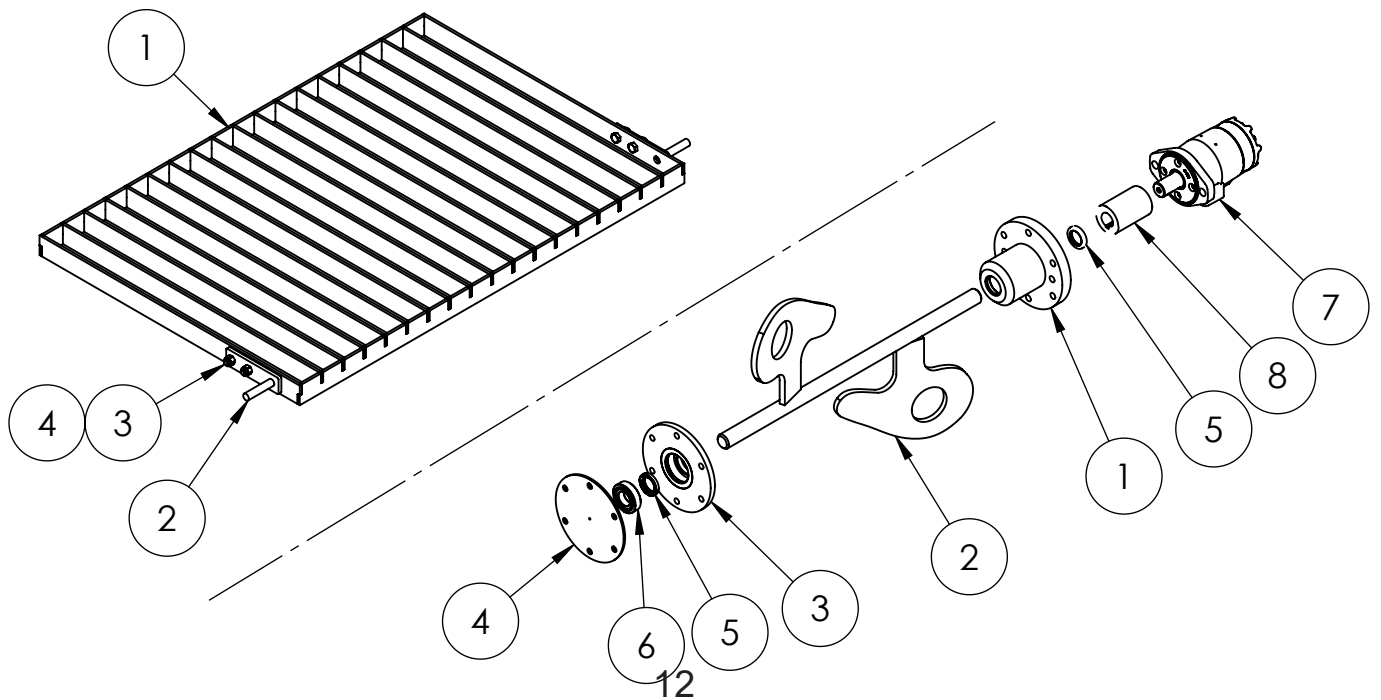
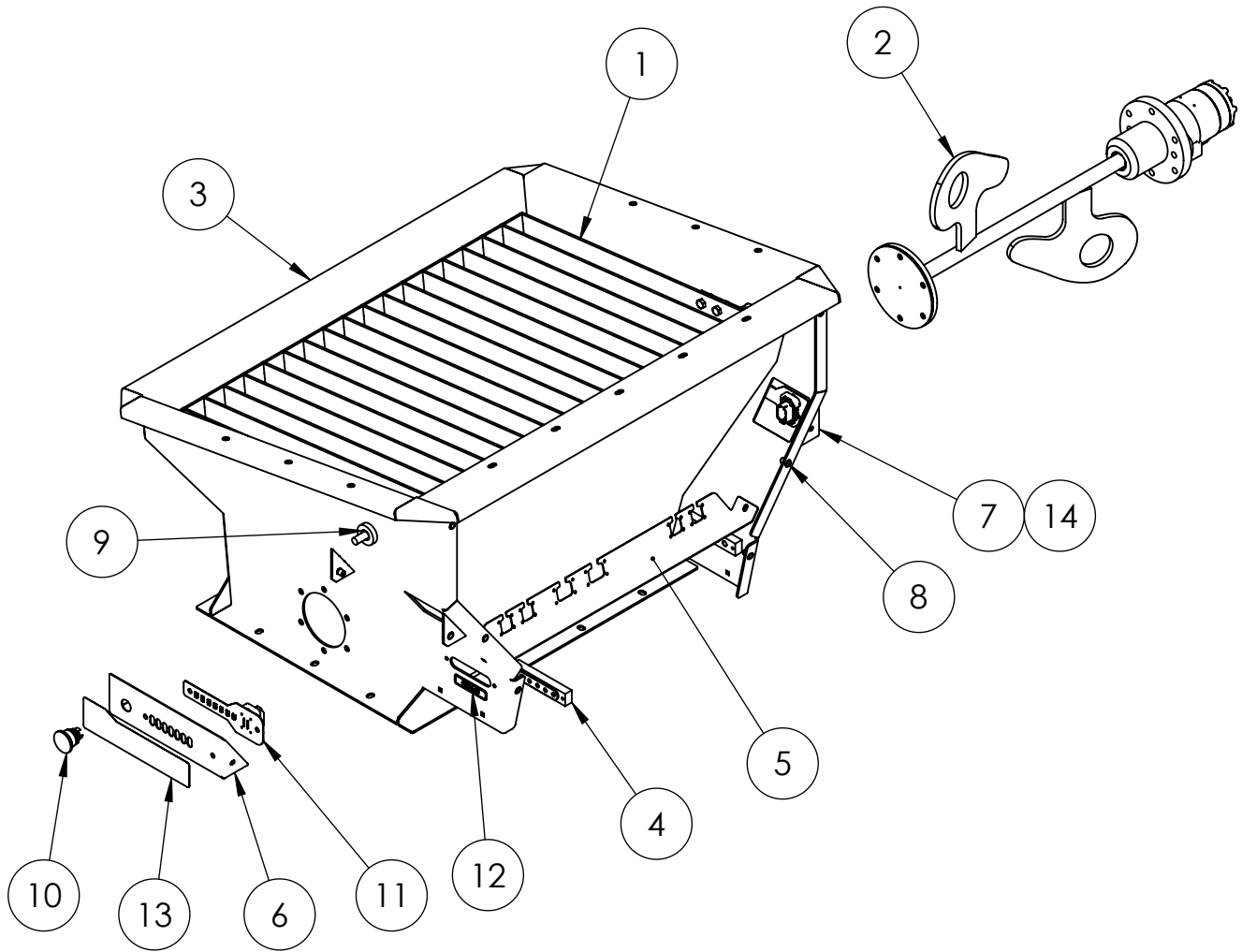
**Parts List: 102-0033 Assy, Pump Tail Cover**

<b>ITEM NO</b>	<b>PART NUMBER</b>	<b>DESCRIPTION</b>	<b>QTY</b>
1	103-0046	Tail cyl cover	1
2	104-0167	Tail cover	1
3	901-08100-1	Bolt, Hex 1/2-13 x 1.00 Gr5 ZP	7
4	960-0001	Decal, Mud Demon (10in x 5in)	1
5	960-0002	Decal, Model L305	2



<b>Parts List: 102-0034 Assy, Top Frame</b>			
<b>ITEM NO</b>	<b>PART NUMBER</b>	<b>DESCRIPTION</b>	<b>QTY</b>
1	102-0035	Toolbox, RH	1
2	102-0036	Toolbox, LH	1
3	103-0048	Top Frame	1
4	104-0163	Hyd Bulkhead Mount	1
5	104-0182	Hose cover	1
6	901-06100-1	Bolt, Hex 3/8-16 x 1.00 Gr5 ZP	13
7	911-06-1	Nut, Nylock 3/8-16 Gr5 ZP	8

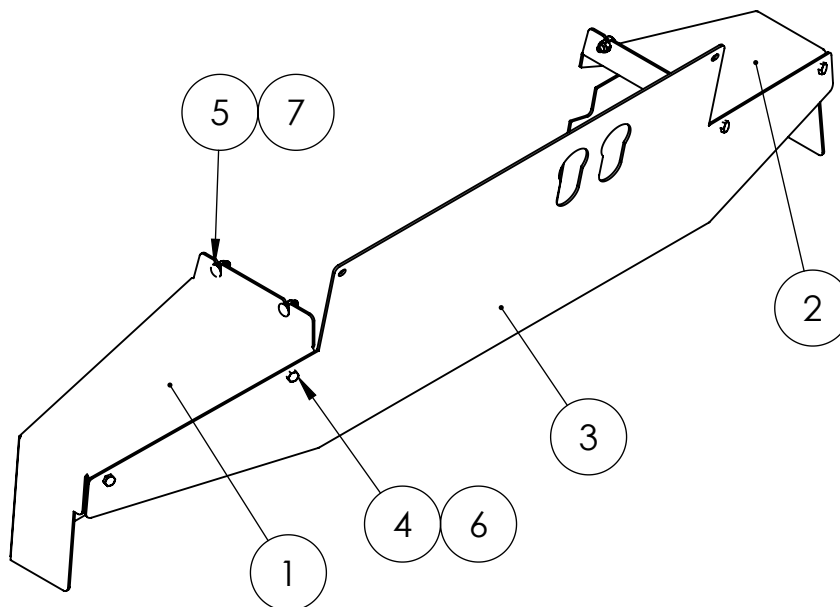
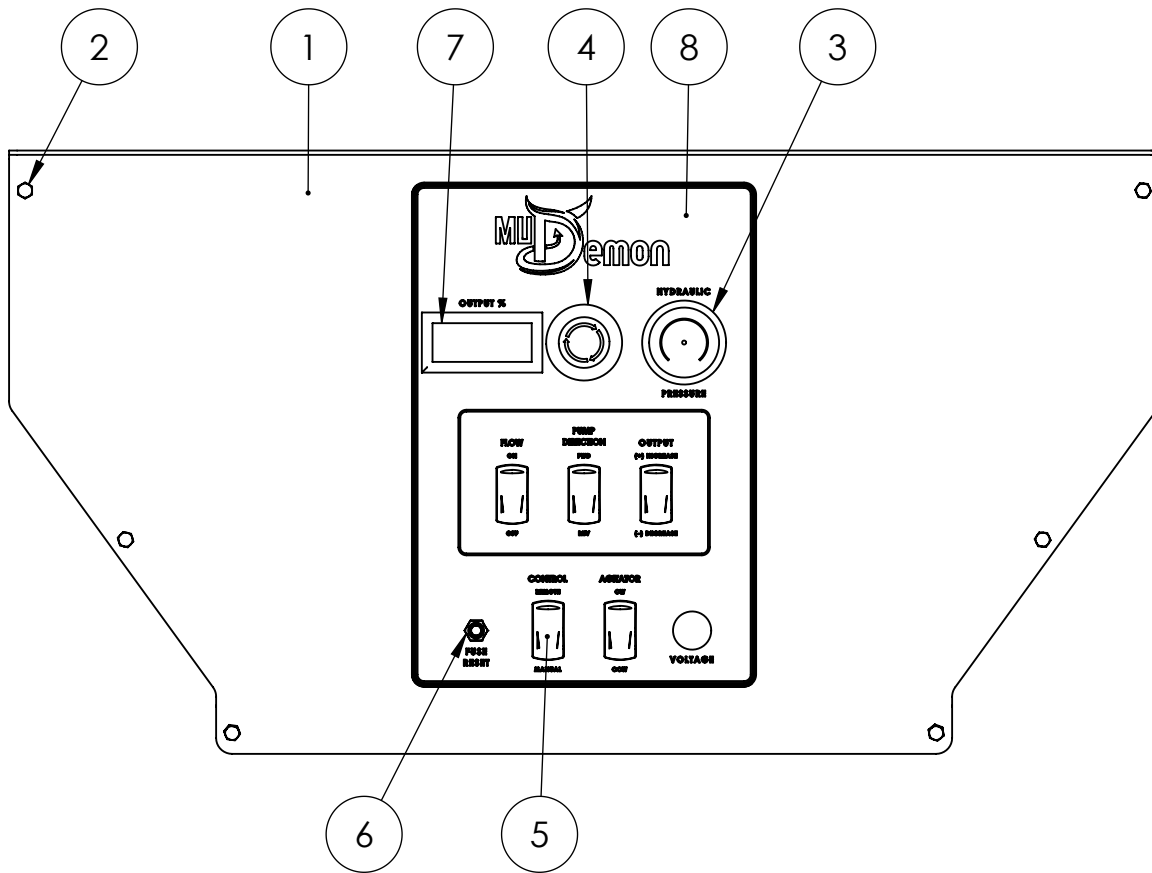
<b>Parts List: 102-0035 Assy, Toolbox RH</b>			
<b>ITEM NO</b>	<b>PART NUMBER</b>	<b>DESCRIPTION</b>	<b>QTY</b>
1	103-0049	Tool box RH	1
1*	103-0050	Tool box LH	
2	103-0061	Weld, Toolbox Lid	1
4	104-0247	Toolbox Seal	1
5	901-04050-1	Bolt, Hex 1/4-20 x 0.50 Gr5 ZP	4
6	906-03250-1	Rivet, 3/16 x 0.250	4
7	911-04-1	Nut, Nylock 1/4-20 Gr5 ZP	4
8	940-0001	Latch, Toolbox	1
9	940-0003	Piano Hinge, 0.250 Dia x 3.00 Long	2



<b>Parts List: 102-0037 Assy, 305 Hopper</b>			
<b>ITEM NO</b>	<b>PART NUMBER</b>	<b>DESCRIPTION</b>	<b>QTY</b>
1	102-0040	Assy, Grate	1
2	102-0042	Assy, Agitator	1
3	103-0062	Weld, 305 Hopper	1
4	104-0209	Grease bulk head	2
5	104-0235	Control Panel Bulkhead	1
6	104-0238	Hopper Light Panel	1
7	104-0249	Light Panel LH	1
8	906-04N-1	Rivet, Nut 1/4-20 ZP	10
9	924-0004	Bushing, Flanged 0.50 ID x 0.75 OD	2
10	950-0005	Switch, Horn	2
11	950-0009	Status Indicator PCB	2
12	960-0007	Decal, Grease Lines L305	2
13	960-0029	Decal, Indicator Panel RH	1
14	960-0030	Decal, Indicator Panel LH	1

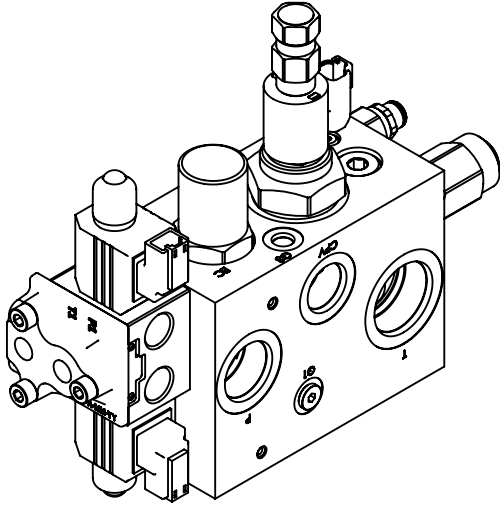
<b>Parts List: 102-0040 Hopper Grate</b>			
<b>ITEM NO</b>	<b>PART NUMBER</b>	<b>DESCRIPTION</b>	<b>QTY</b>
1	103-0051	Grate	1
2	103-0053	Gate pivot	2
3	901-06100-1	Bolt, Hex 3/8-16 x 1.00 Gr5 ZP	4
4	911-06-1	Nut, Nylock 3/8-16 Gr5 ZP	4

<b>Parts List: 102-0042 Agitator Assembly</b>			
<b>ITEM NO</b>	<b>PART NUMBER</b>	<b>DESCRIPTION</b>	<b>QTY</b>
1	103-0064	Weld, Agitator Drive Mount	1
2	103-0065	Weld, Agitator	1
3	103-0066	Weld, Agitator Hub	1
4	104-0245	Agitator Hub Cover	1
5	924-0005	Seal, 1.00" Shaft, 1.50" Bore	2
6	924-0006	Bearing, 1.00" Insert, R16-2RS	1
7	934-0001	Motor, Hydraulic 100cc	1
8	945-0002	Shaft Coupler, 1.00"	1

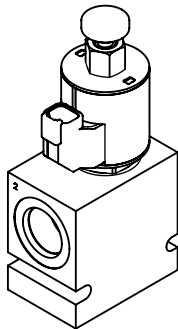


<b>Parts List: 102-0038 Assy, Control Panel</b>			
<b>ITEM NO</b>	<b>PART NUMBER</b>	<b>DESCRIPTION</b>	<b>QTY</b>
1	103-0063	Weld, 305 Control Panel	1
2	901-04050-1	Bolt, Hex 1/4-20 x 0.50 Gr5 ZP	6
3	935-0009	Pressure Gauge, 3000PSI	1
4	950-0002	Switch, E-Stop	1
5	950-0004	Switch, Rocker On-Off-On Momentary	5
6	950-0008	Fuse, Reset	1
7	950-0013	Display, Digital Ammeter	1
8	960-0032	Decal, Control Panel L305	1

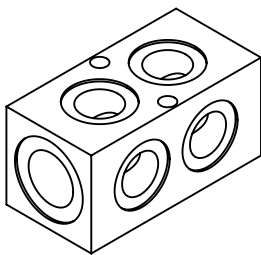
<b>Parts List: 102-0039 Control Panel Lower Guards</b>			
<b>ITEM NO</b>	<b>PART NUMBER</b>	<b>DESCRIPTION</b>	<b>QTY</b>
1	104-0231	Swing Cyl Cover RH	1
2	104-0232	Swing Cyl Cover LH	1
3	104-0233	Lower Cover	1
4	901-04050-1	Bolt, Hex 1/4-20 x 0.50 Gr5 ZP	4
5	902-04075-1	Bolt, Carriage 1/4-20 x 0.75 Gr5 ZP	4
6	906-04N-1	Rivet, Nut 1/4-20 ZP	4
7	911-04-1	Nut, Nylock 1/4-20 Gr5 ZP	4



Part No.	Description
933-0010	Main Control Valve
933-0010-1	Spool - FR Port
933-0010-2	Spool - RV1 Port
933-0010-3	Spool - RV2 Port
933-0010-4	Spool - EC Port
933-0010-5	Spool - PV Port
933-0010-6	Solenoid - PV Port
933-0010-7	Section - Agitator Control



Part No.	Description
933-0008	Emergency Dump Valve
933-0008-1	Spool - Dump Valve
933-0008-2	Solenoid - Dump Valve



Part No.	Description
935-0010	Tank Header Manifold



